



Technology that connects

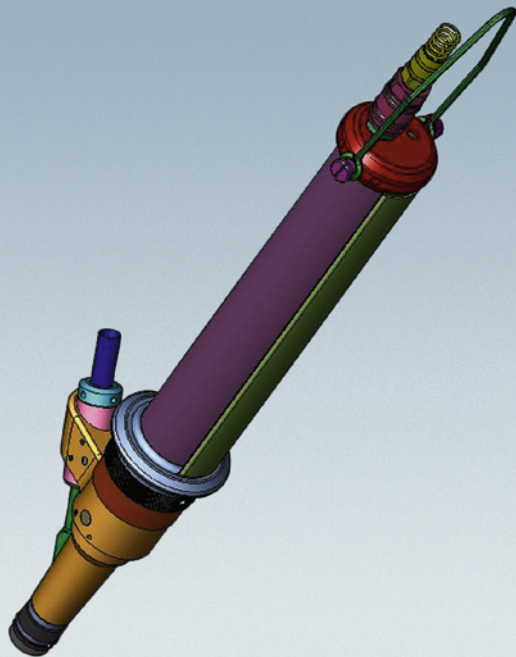


Hand screwdriver with
automatic feed system
LCM4

Hand screwdriver with automatic feed system

LCM4

For fastener heads up to 12 mm,
and length of up to 30 mm

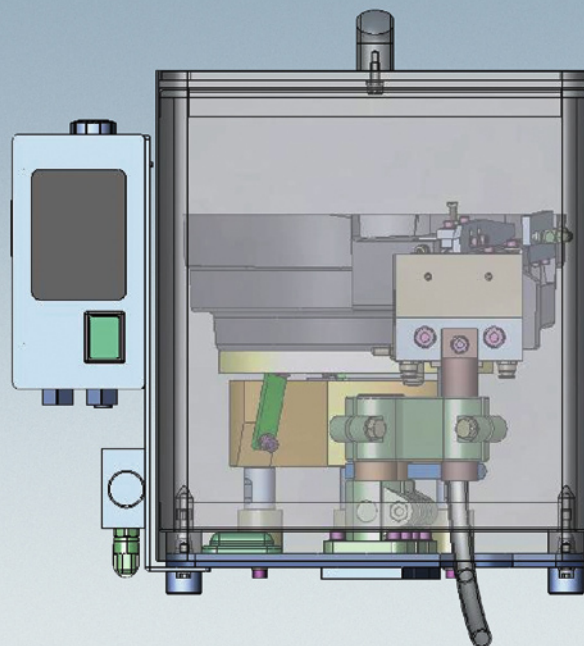


Weber hand screwdriver

- _ Screwdriving head with 3-finger aligning guide or 2-finger aligning guide
- _ Automatic self advancing bit stroke
- _ Air motor with adjustable one-shot or friction clutch
- _ Weight: approx. 2 kg
- _ Speed: up to 1500 RPM
- _ Torque: 0,4 - 4 Nm
- _ Range of application : 650 RPM / 5,3 Nm bis 1500 RPM / 3,0 Nm

Weber feeding and control unit

- _ Polymer feed bowl of 240 mm
- _ Filling volume approx. 1,2 Liter
- _ Reliable Weber escapement technology
- _ Entry programmable vibration and solenoid control unit
- _ Solenoid and air treatment unit
- _ Dimensions: L 450 mm x W 400 mm x H 400 mm
- _ Weight: 38 kg
- _ 12ft of feed tube standard



WEBER

Technology that connects

Weber Schraubautomaten GmbH

Hans-Urmiller-Ring 56

D-82515 Wolfratshausen

Tel.: +49 (8171) 4060

Fax: +49 (8171) 406-111

info@weber-online.com

www.weber-online.com